

BOLS

P-4027X

floor lamp

Date	Type
Project	
Location	
Model #	Quantity
Specifier	

Description

Aluminium floor lamp with polyethylene shade and integrated dimmable LED. Double layer coating for high resistance to corrosion and other environmental conditions. Possibility of adding a tray to use as a table, or a flower pot.

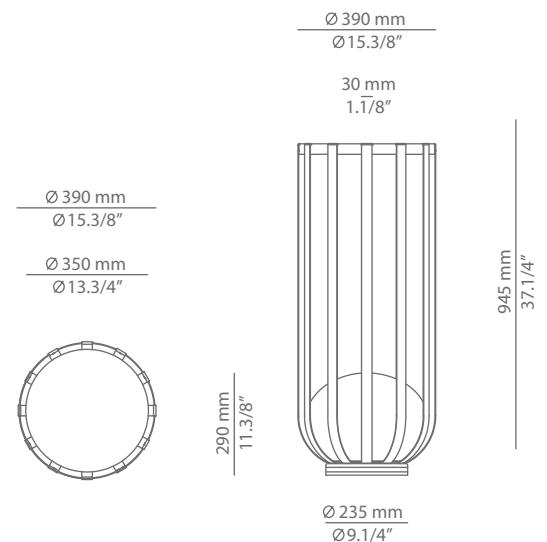


Pictures above might not show the specified dimensions or material. They are for illustration purposes only.



Ordering information

Product Code	Lamp	Finish								
P-4027X	LED 10W (led included) (2700K / Ang 120° / >90 CRI) / 230V / Typ* 870 lumens Dimmable Triac	<table border="0"> <tr> <td>96 BLK ANT</td> <td>Black Anthracite</td> </tr> <tr> <td>55 BG</td> <td>Beige</td> </tr> <tr> <td>78 OX RD</td> <td>Oxide Red</td> </tr> <tr> <td>CUSTOM</td> <td></td> </tr> </table>	96 BLK ANT	Black Anthracite	55 BG	Beige	78 OX RD	Oxide Red	CUSTOM	
96 BLK ANT	Black Anthracite									
55 BG	Beige									
78 OX RD	Oxide Red									
CUSTOM										



SPECIAL REQUIREMENTS

Custom finishes and versions

We offer custom plated or RAL finishes and shades. Alternate lamping and sizes available for projects. Consult our offices.

Special instructions

BOLS

P-4027X


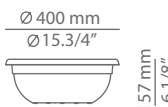
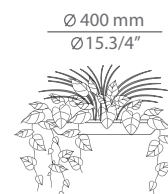

floor lamp

Date	Type
Project	
Location	
Model #	Quantity
Specifier	

Accessories

Possibility of adding a tray to use as a table, a flower pot for natural or artificial vegetation and an aluminium bolt down kit to fix on the floor.

Ordering information

Code	Description	Finish
124027XX2	Table kit (table top included) Maximum 3kg 	96 BLK ANT Black Anthracite 55 BG Beige 78 OX RD Oxide Red CUSTOM
124027XX3	Pot for natural vegetation Maximum 5,5kg 	96 BLK ANT Black Anthracite 55 BG Beige 78 OX RD Oxide Red CUSTOM
124027XX7	Vegetation kit with artificial greenery 	96 BLK ANT Black Anthracite 55 BG Beige 78 OX RD Oxide Red CUSTOM
124027XX6	Bolt down floor base kit (aluminium base) 	96 BLK ANT Black Anthracite 55 BG Beige 78 OX RD Oxide Red CUSTOM



SPECIAL REQUIREMENTS

Custom finishes and versions

We offer custom plated or RAL finishes and shades. Alternate lamping and sizes available for projects. Consult our offices.

Special instructions
